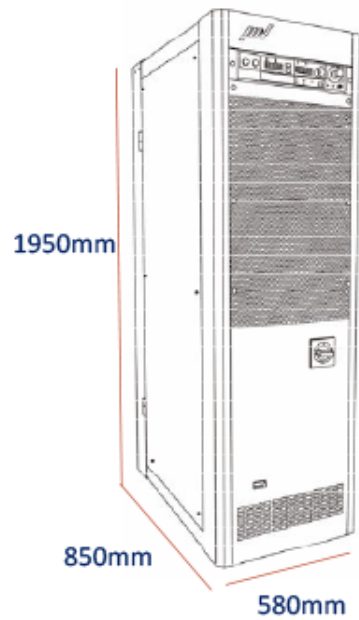
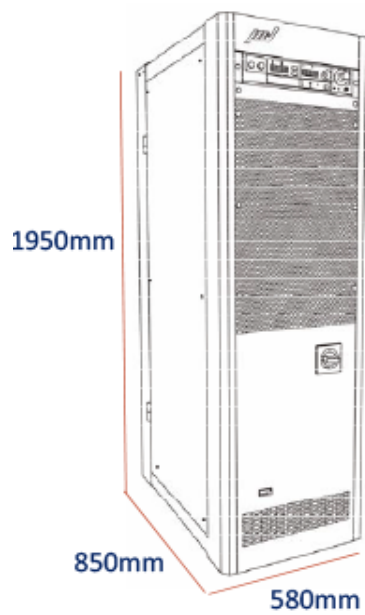




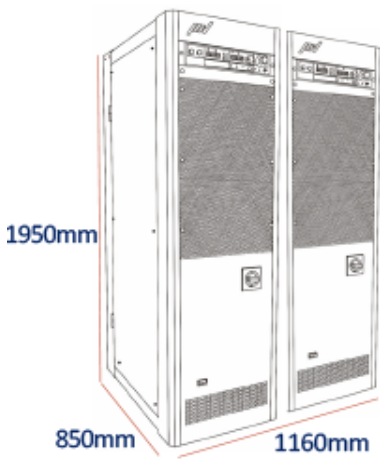
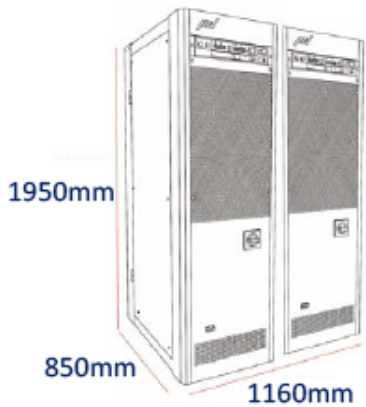
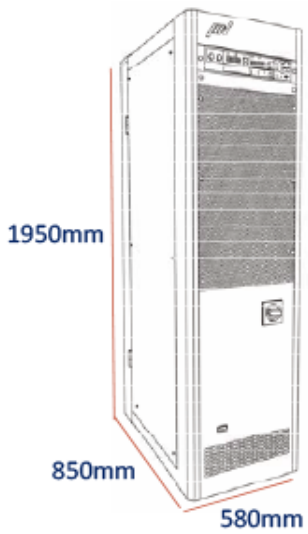
Amplifier Replacement Specifications



Model	SA1M - Mi40 - ISM - CE	SA1M - V824 - ISM - CE
Type	Digital switching amplifier in 19" rack.	Digital switching amplifier in 19" rack.
Size(mm) WxHxD	580x1950x850	580x1950x850
Mass	Approx. 420 kg	Approx. 420 kg
Frequency Range	DC - 5000 Hz	DC - 5000 Hz
Frequency Response	DC - 5000 Hz ± 3 dB	DC - 5000 Hz ± 3 dB
Cooling Method	Air cooling	Air cooling
Input Impedance	Over 10 k Ω	Over 10 k Ω
Power Consumption	22 kVA	34 kVA
Drive Output	10 kVA (Maximum. 100 Vrms, 100 Arms, 300 Apeak)	10 kVA (Maximum. 100 Vrms, 100 Arms, 300 Apeak)
Field Supply	Maximum. 30 Amp, 280 Volt	Maximum. 90 Amp, 280 Volt
Degauss Coil	It is possible to provide the degauss supply from the field supply	It is possible to provide the degauss supply from the field supply
Cooling Fan	Maximum. 5.5 kW	Maximum. 7 kW
Total max power of field and cooling fan	12 kW	21 kW
Replacement Target	V830/SPA5K - 10K V850/SPA5K - 10K V706L, V710L, V712, V714, V716, V721	V726, V730 - 185, V730 - 335 V805HZ (series), V806, V806LZ (series), V806HZ (parallel)

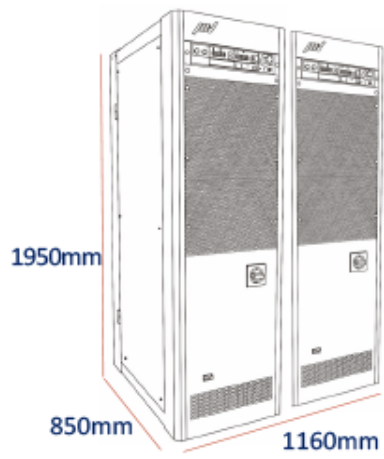


Model	SA2M - Mi40 - ISM - CE	SA2M - V824 - ISM - CE
Type	Digital switching amplifier in 19" rack.	Digital switching amplifier in 19" rack.
Size(mm) WxHxD	580x1950x850	580x1950x850
Mass	Approx. 440 kg	Approx. 440 kg
Frequency Range	DC - 5000 Hz	DC - 5000 Hz
Frequency Response	DC - 5000 Hz ± 3 dB	DC - 5000 Hz ± 3 dB
Cooling Method	Air cooling	Air cooling
Input Impedance	Over 10 k Ω	Over 10 k Ω
Power Consumption	29 kVA	41 kVA
Drive Output	20 kVA (Maximum. 100 Vrms, 200 Arms, 600 Apeak)	20 kVA (Maximum. 100 Vrms, 200 Arms, 600 Apeak)
Field Supply	Maximum. 30 Amp, 280 Volt	Maximum. 90 Amp, 280 Volt
Degauss Coil	It is possible to provide the degauss supply from the field supply	It is possible to provide the degauss supply from the field supply
Cooling Fan	Maximum. 5.5 kW	Maximum. 7 kW
Total max power of field and cooling fan	12 kW	21 kW
Replacement Target	V850/SPA15K - 20K	V724 MK1, V724 MK2, V725 V804, V804LS, V805LZ (parallel), V810 - 240, V810 - 440, V826, V826LS, V860LZ (parallel), V860HDLZ (parallel)



Model	SA3M - Mi40 - ISM - CE	SA3M - V824 - ISM - CE	SA3M - V824 - ISM - CE
Type	Digital switching amplifier in 19" rack.	Digital switching amplifier in 19" rack.	Digital switching amplifier in 19" rack.
Size(mm) WxHxD	580x1950x850	580x1950x850	1160x1950x850
Mass	Approx. 460 kg	Approx. 460 kg	Approx. 880 kg
Frequency Range	DC - 5000 Hz	DC - 5000 Hz	DC - 5000 Hz
Frequency Response	DC - 5000 Hz ± 3 dB	DC - 5000 Hz ± 3 dB	DC - 5000 Hz ± 3 dB
Cooling Method	Air cooling	Air cooling	Air cooling
Input Impedance	Over 10 k Ω	Over 10 k Ω	Over 10 k Ω
Power Consumption	36 kVA	48 kVA	52 kVA
Drive Output	30 kVA (Maximum. 100 Vrms, 300 Arms, 900 Apeak)	30 kVA (Maximum. 100 Vrms, 300 Arms, 900 Apeak)	30 kVA (Maximum. 100 Vrms, 300 Arms, 900 Apeak)
Field Supply	Maximum. 30 Amp, 280 Volt	Maximum. 90 Amp, 280 Volt	Maximum. 90 Amp, 280 Volt
Degauss Coil	It is possible to provide the degauss supply from the field supply	It is possible to provide the degauss supply from the field supply	It is possible to provide the degauss supply from the field supply
Cooling Fan	Maximum. 5.5 kW	Maximum. 7 kW	Maximum. 11 kW
Total max power of field and cooling fan	12 kW	21 kW	24.4 kW
Replacement Target	V850/SPA25K - 30K	V824 MK1, V824 MK2, V824LS MK1, V825L	V870/SPA25K, V875/SPA25K - 30K, V890/SPA25K - 30K V894/SPA25K - 30K

Model	SA4M - Mi50 - ISM - CE
Type	Digital switching amplifier in 19" rack.
Size(mm) WxHxD	1160x1950x850
Mass	Approx. 900 kg
Frequency Range	DC - 5000 Hz
Frequency Response	DC - 5000 Hz ± 3 dB
Cooling Method	Air cooling
Input Impedance	Over 10 k Ω
Power Consumption	59 kVA
Drive Output	40 kVA (Maximum. 100 Vrms, 400 Arms, 1,200 Apeak)
Field Supply	Maximum. 90 Amp, 280 Volt
Degauss Coil	It is possible to provide the degauss supply from the field supply
Cooling Fan	Maximum. 11 kW
Total max power of field and cooling fan	24.4 kW
Replacement Target	V890/SPA35K - 40K, V894/SPA35K - 40K



Model	SA5M - Mi50 - ISM - CE
Type	Digital switching amplifier in 19" rack.
Size(mm) WxHxD	1160x1950x850
Mass	Approx. 930 kg
Frequency Range	DC - 5000 Hz
Frequency Response	DC - 5000 Hz \pm 3 dB
Cooling Method	Air cooling
Input Impedance	Over 10 k Ω
Power Consumption	66 kVA
Drive Output	50 kVA (Maximum. 100 Vrms, 500 Arms, 1,500 Apeak)
Field Supply	Maximum. 90 Amp, 280 Volt
Degauss Coil	It is possible to provide the degauss supply from the field supply
Cooling Fan	Maximum. 11 kW
Total max power of field and cooling fan	24.4 kW
Replacement Target	V890/SPA45K - 50K, V894/SPA45K - 50K V890, V894